



Double Door

BEFORE YOU START INSTALLATION

Check your rough opening.

Door Size	Overall dimensions		Rough opening	
	Width	High	Width	High
36"	37 3/4"	82" / 98"	38 1/4"	82 1/2" / 98 1/2"
44"	45 3/4"	82" / 98"	46 1/4"	82 1/2" / 98 1/2"
48"	49 3/4"	82" / 98"	50 1/4"	82 1/2" / 98 1/2"
56"	57 3/4"	82" / 98"	58 1/4"	82 1/2" / 98 1/2"
60"	61 3/4"	82" / 98"	62 1/4"	82 1/2" / 98 1/2"
64"	65 3/4"	82" / 98"	66 1/4"	82 1/2" / 98 1/2"
72"	73 3/4"	82" / 98"	74 1/4"	82 1/2" / 98 1/2"

TOOL REQUIRED:

- Hammer
- 4 Feet Level
- 2-inch finish nails
- Wood or plastic shims
- Hand Saw
- Construction knife
- Measurement Tape
- Pencil

PACKAGE CONTENT:

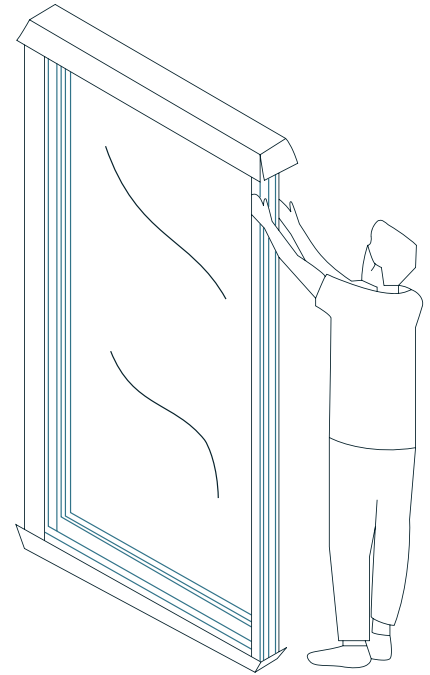
- Door leafs
- Jambs
- Casings
- Bag of screws
- Strike plates
- Hinges
- Door catches



Double Door

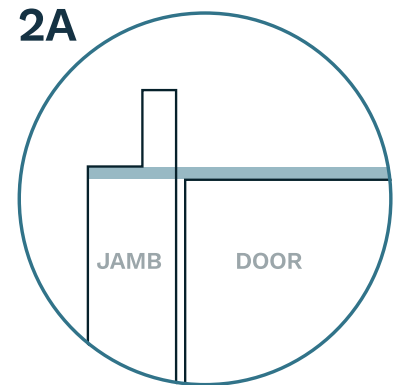
1 UNPACKING AND CHECKING ALL PARTS:

Carefully unpack the interior door and verify that all parts are included and in good condition.

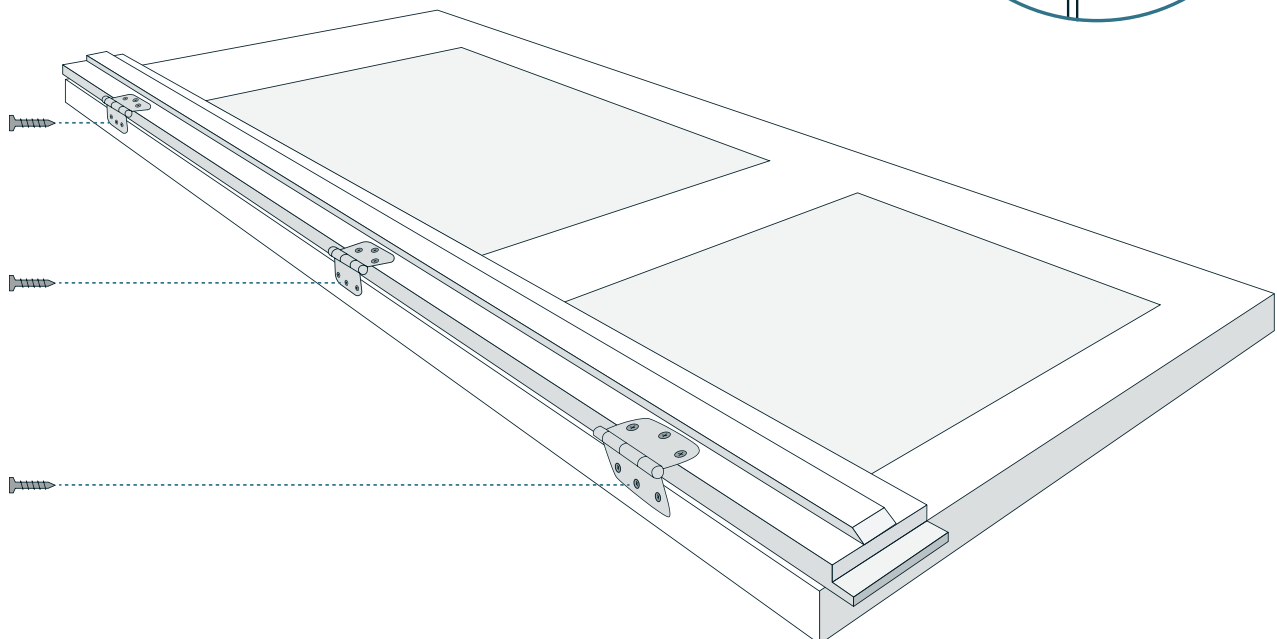


2 CONNECTING JAMBS WITH THE DOOR:

- Align the door slab with the door jamb. Leave a small gap (1/32 inch to 1/8 inch) between the door and the top jamb.
- Secure the hinges to the door jamb using screws.



2B

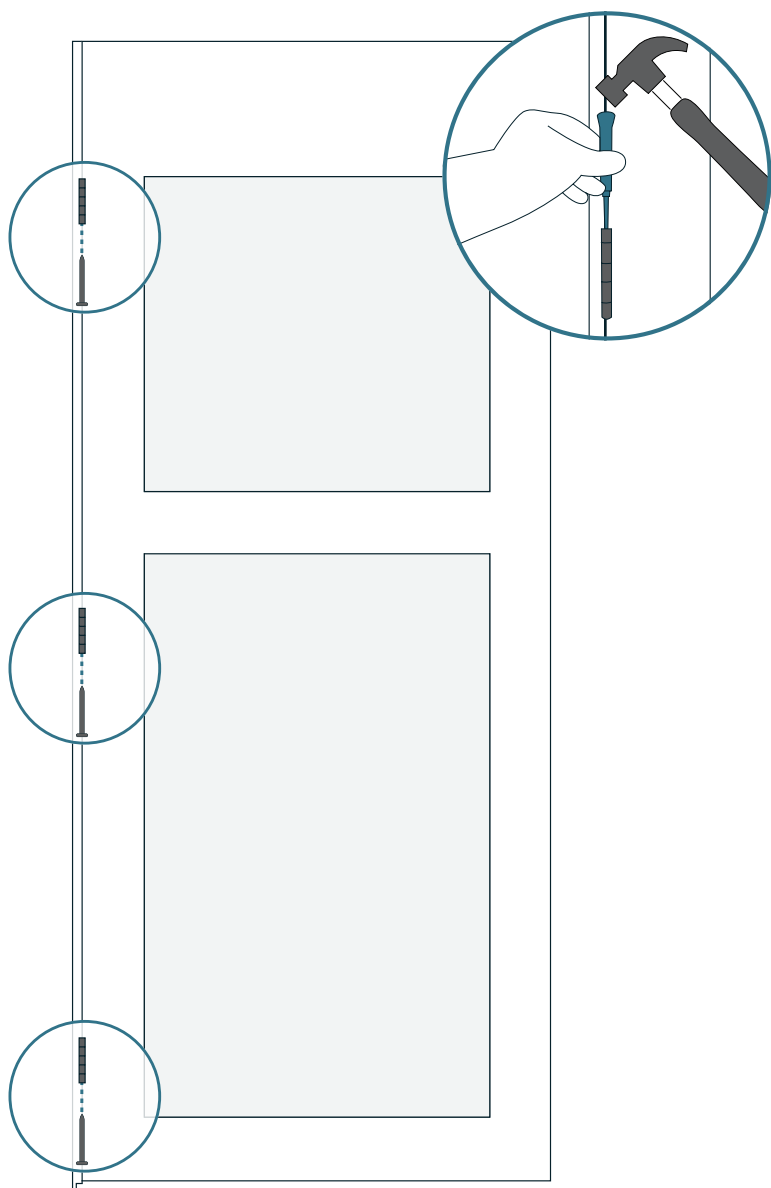




Double Door

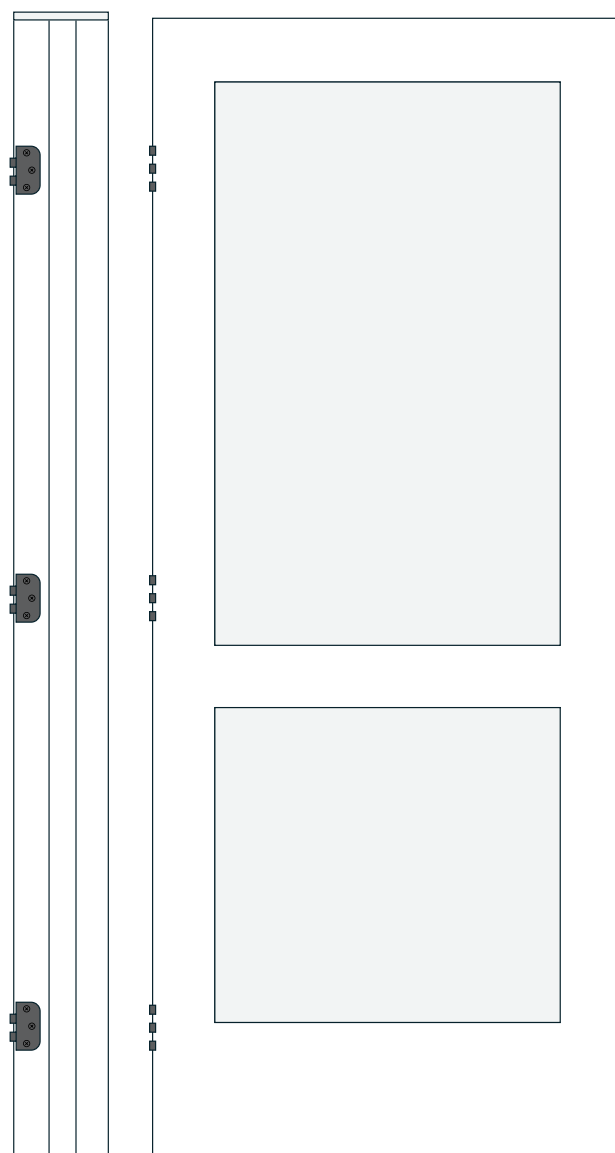
3 REMOVE THE PIN WHICH HOLDS TWO PARTS OF HINGES

3A



Door top

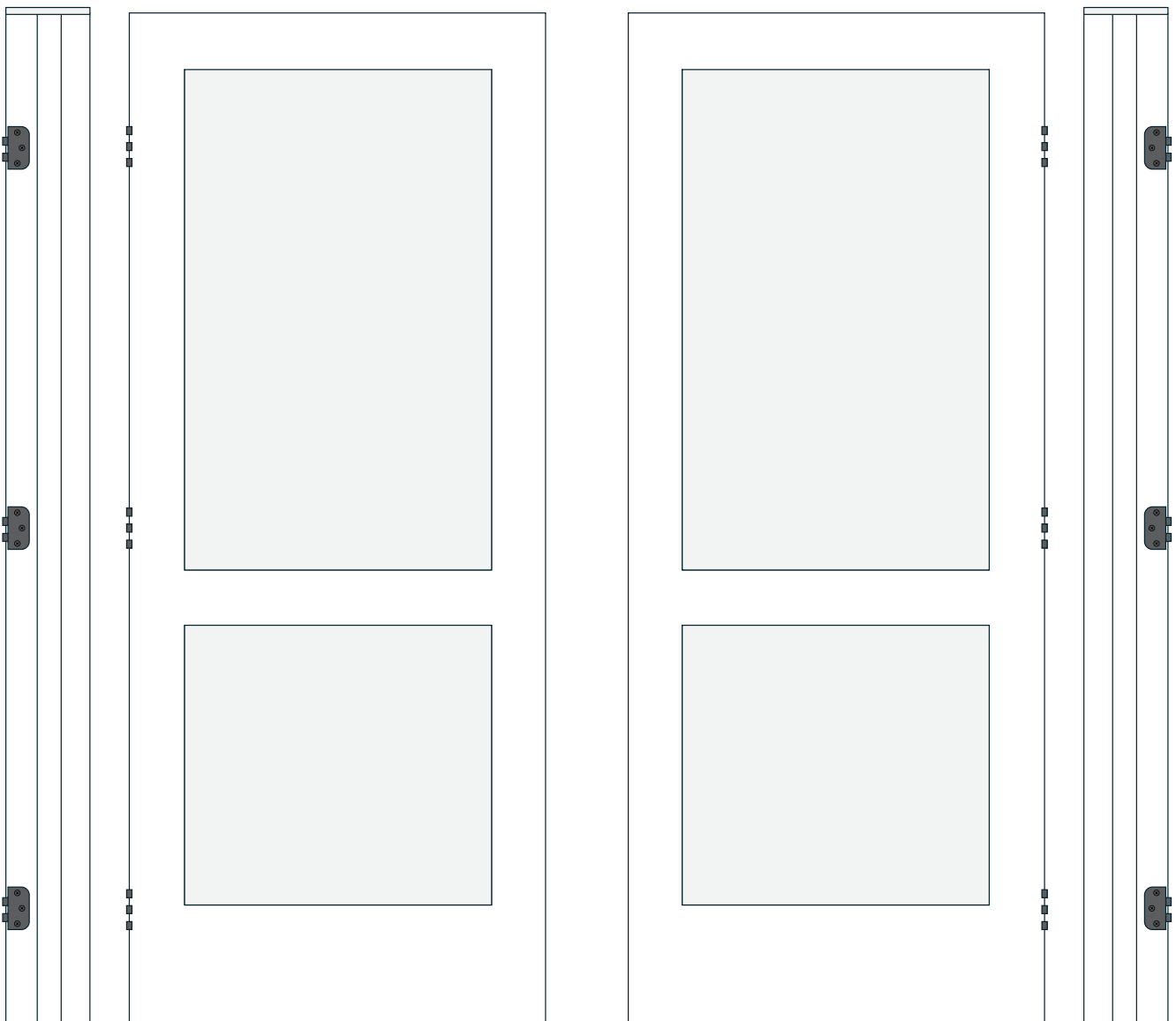
3B





Double Door

4 REPEAT STEPS 2 AND 3 WITH THE SECOND DOOR SLAB





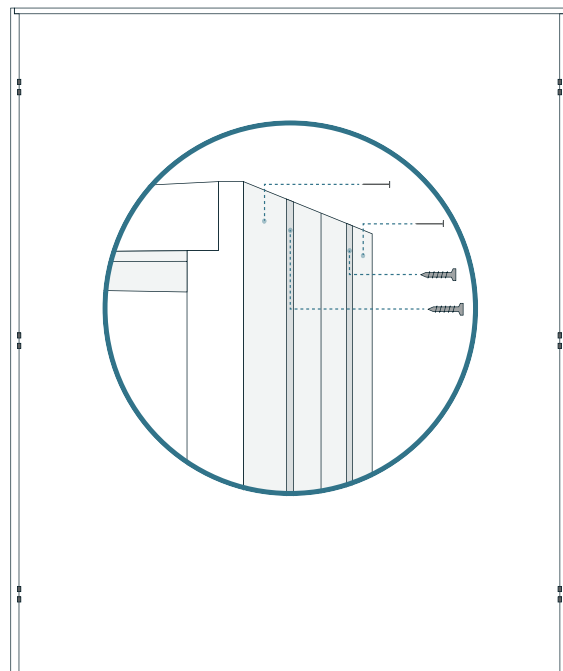
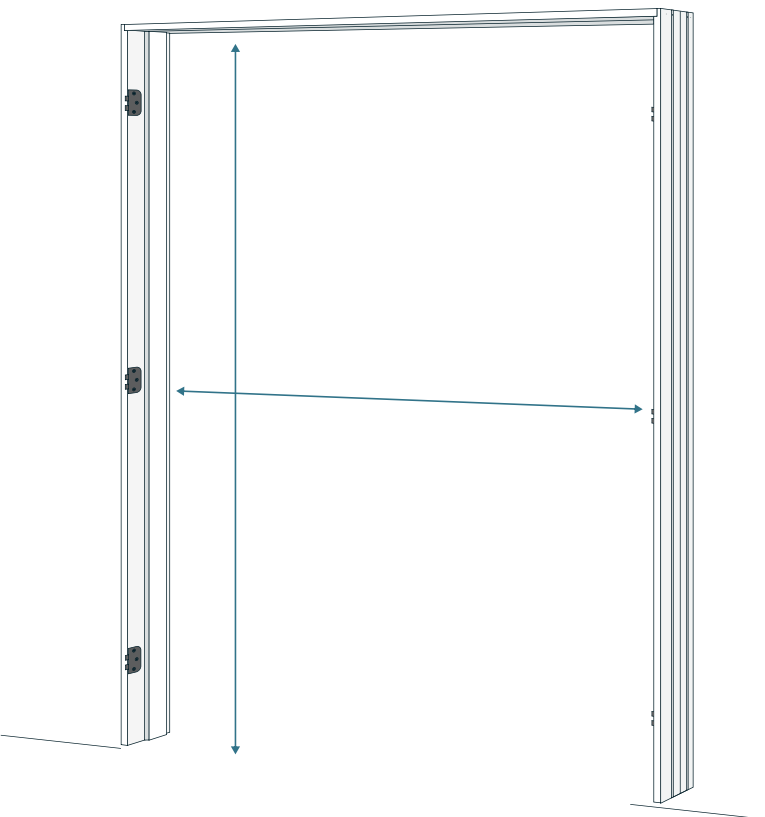
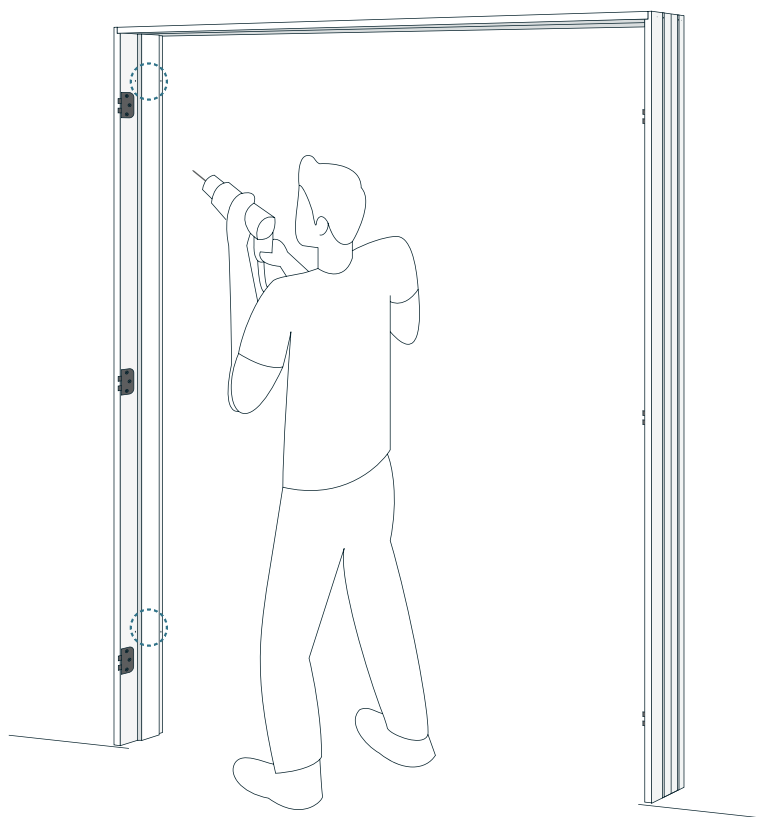
Double Door

5 ASSEMBLING THE FRAME:

Use nails and screws to assemble the frame of the door.

6 PLACING THE FRAME INTO THE ROUGH OPENING (RO):

- A. Insert the assembled door frame into the Rough Opening (RO).
Make sure jamb leveled and straight (not bent or curved).
- B. Secure the frame in place by nailing it to the surrounding structure at the top, bottom, and sides.

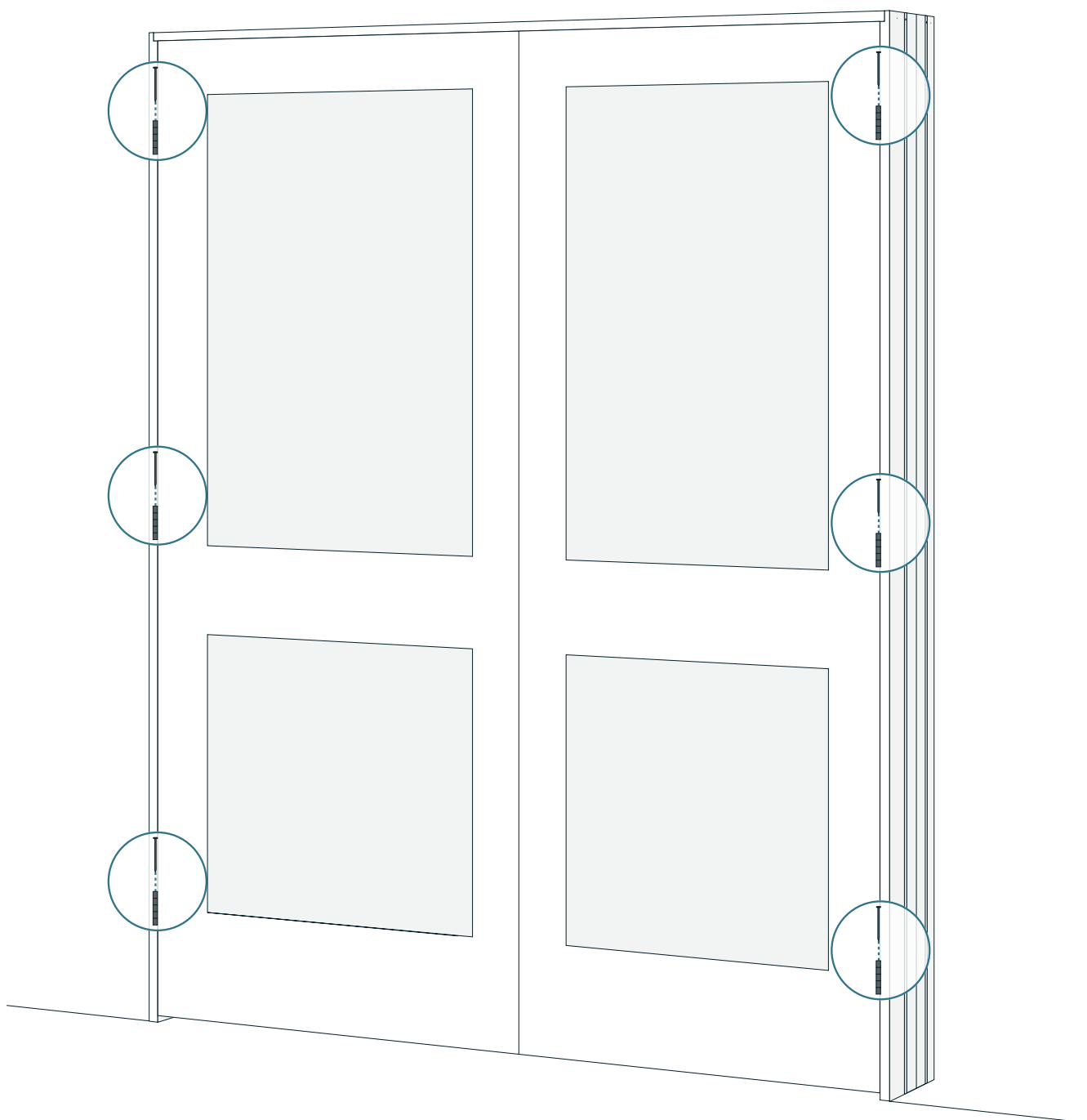
**6A****6B**



Double Door

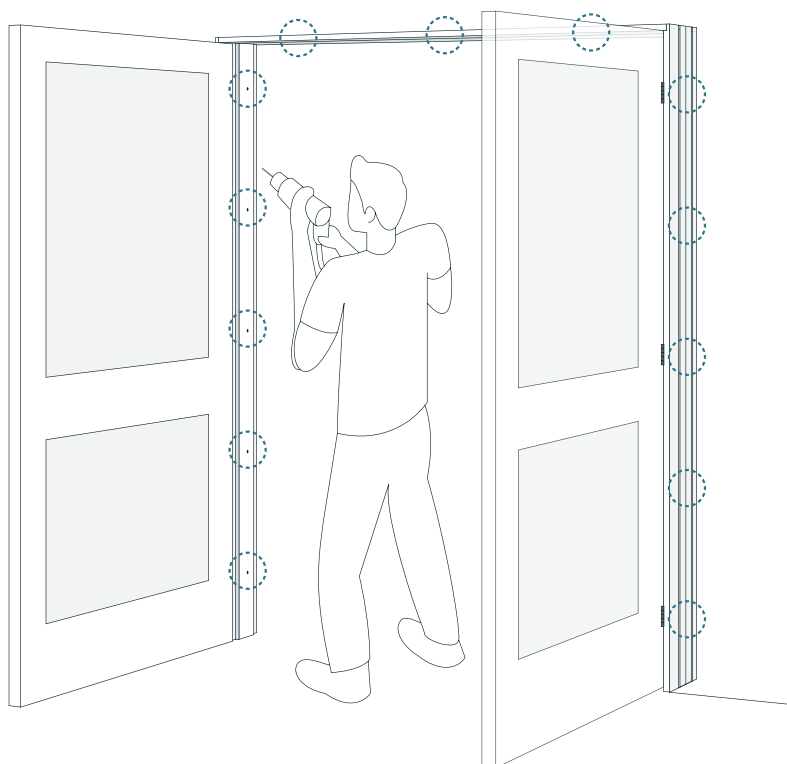
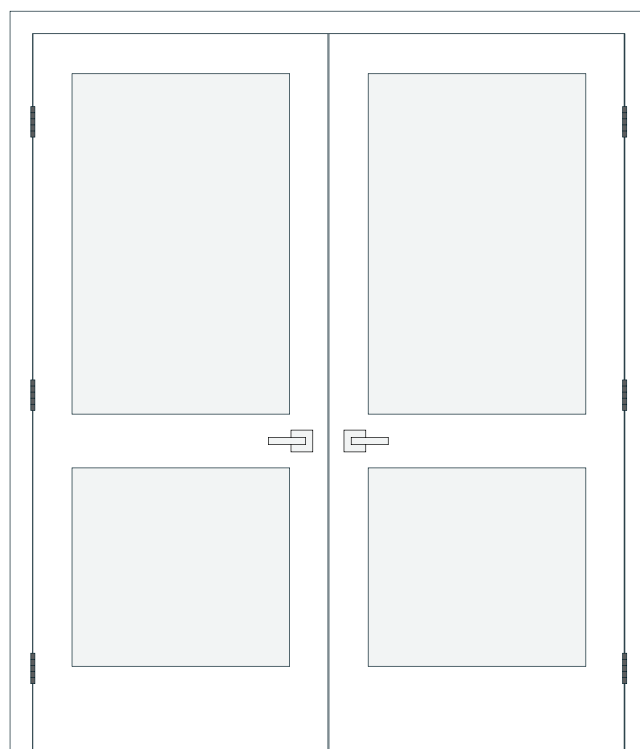
7 HANGING THE DOORS:

- Hang the doors on the hinges that are attached to the door jambs.
- Check that the doors swing freely and close properly.



**Double Door****8 COMPLETING THE INSTALLATION:**

- A. Make any necessary adjustments to ensure that the doors open and close smoothly.
- B. Add any finishing touches, such as installing door handles or locks.

8A**8B**

**FOLLOWING THESE STEPS SHOULD HELP YOU
SUCCESSFULLY INSTALL INTERIOR DOORS**